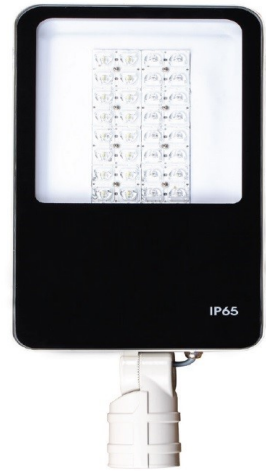




Al Andalus
Electrical solutions



Toledo 1

ALST101

- Applications

Toledo 1 Street lights are essential public lighting fixtures designed to illuminate roads, streets, and public spaces during the dark hours of the day.

Applications include:

- Public Transportation.
- Commercial Areas.
- Parking Lots.
- Industrial Areas.
- Roads.
- Highways.

- Features

LED:

- SMD [Lumileds-Philips]

DRIVER:

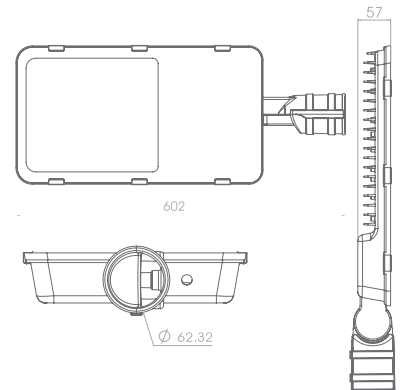
- Costant current driver.
- IP[65].

HOUSING:

- [Die Cast Alumnuim]
- [Electrostatic painting for corrosion, moisture and UV radiation resistance].
- Finshing color[Grey].
- IK[10].

- Dimensions

Model	ALST101
Ø	62.32 mm
L	602 mm
D	57 mm





Al Andalus
Electrical solutions

Toledo1

ALST101

- Tech.Specification

Model	ALST101-100	ALST101-150
Power	100 W	150 W
Power factor	> 0.95	
Luminous Efficacy	130 lm/W	
Luminous flux	13000 lm	19500 lm
CCT	3000 K - 4000 K - 6500 K	
Baem Angle	135°	
CRI (Ra)	>70	
IP	65	
Weight	4.6 KG	